



## *Basic Information*

Bucket capacity

**0.5m<sup>3</sup>**

Rated power

**45kw**

Operating load

**850kg**

Wheelbase

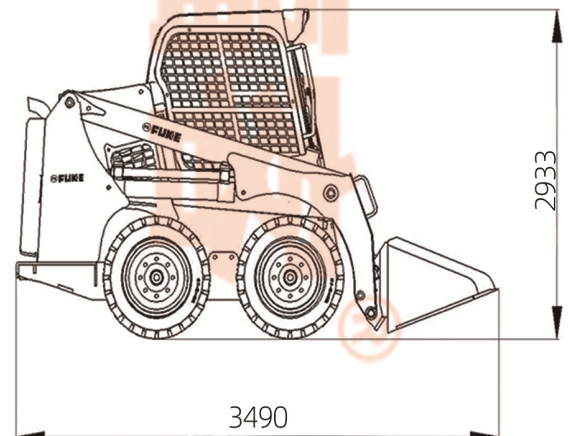
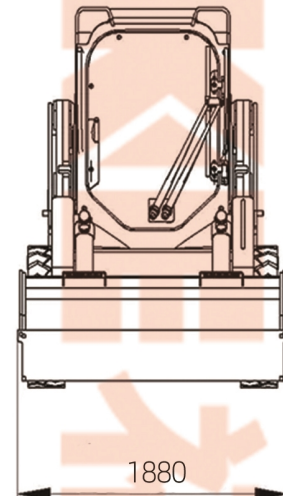
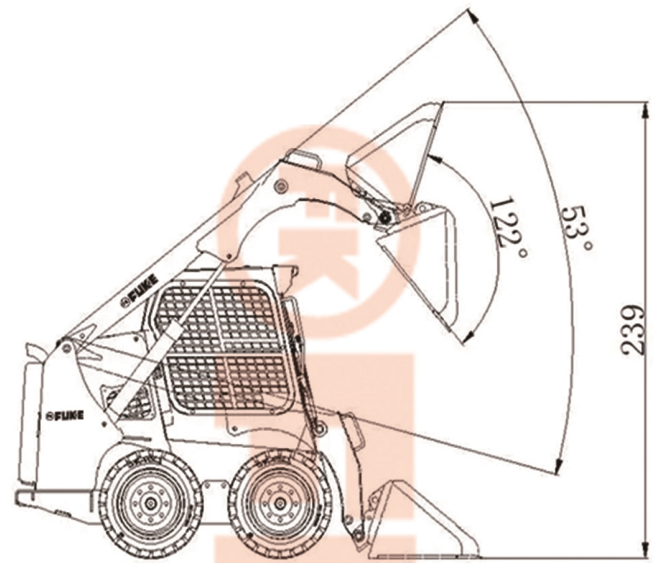
**991mm**

# Basic Parameters

## Technical Specification

Operating load (kg)	850
Max Speed (km/h)	12
Rated flux (L/min)	75
Tire (track) model	12-16.5
Rated power (Kw)	45
Fuel tank capacity (L)	80
self weight bucket (kg)	3200
Bucket capacity (m3)	0.5
Overall operating height (mm)	4000
Height to bucket hinge pin (mm)	3100
height to top of cab (mm)	2160
Height to bottom of level bucket(mm)	2933
Overall length ithout bucket (mm)	2750
overall length with bucket(mm)	3490
Dumping angle at maximum height(°)	40
Dumping height(mm)	2400
Dumping reach(mm)	750
Rollback o bucket on ground(°)	30
Rollback of bucket at full height(°)	104
Wheelbase(mm)	991
Ground clearance(mm)	205
Angleof departure(°)	20
Front turning radins without bucket(mm)	1198
Front tuning radius(mm)	1958
Rear tuning radius(mm)	1728
Rear axle to bumper (mm)	1208
Tread width,enterline to centerline (mm)	1500

## Outline



\*We follows the principle of continuous improvement Product performance parameters will be partially changed due to technical improvements without prior notice.



# FUKE Skid Loader Attachments

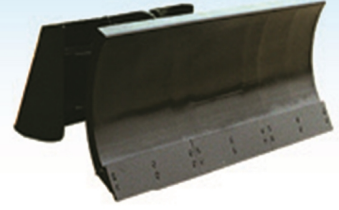
4 in 1 bucket



Pallet fork



Dozer blade



Snow blade



Grapple bucket



Fork grapple



Backhoe



Backhoe arm



Sweeper



Angle Broom



Breaker



Planer



Trencher



Auger



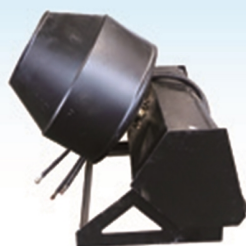
Vibratory roller



Disk type trencher



Mixer



Snow Blower



\*We follows the principle of continuous improvement Product performance parameters will be partially changed due to technical improvements without prior notice.

**FUKE**

Anhui Fuke Heavy Industry Equipment Co., Ltd.

Contact us:  
Phone/Whatsapp:+8613505697380  
Email:fk002@fukebn.com/fuke7380@gmail.com

